

# COMPACT DISC PLAYER

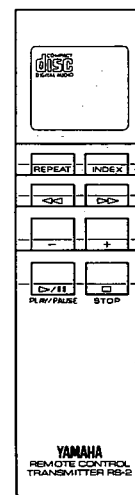
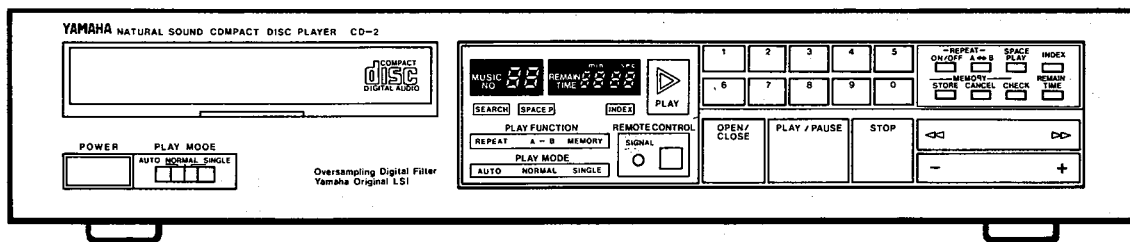
# CD-2

## SERVICE MANUAL

昭和59年6月発売

138K

### FRONT PANEL



● RS-2

REMOTE CONTROL  
TRANSMITTER

### 目次/CONTENTS

TO SERVICE PERSONNEL .....	1	調整 /ADJUSTMENTS .....	7 ~ 9
INTERLOCK OPERATION .....	2	PRINTED CIRCUIT BOARD .....	10 ~ 12
リアパネル /REAR PANEL .....	3	WIRING .....	13
参考仕様 /SPECIFICATIONS .....	4	総回路図/SCHEMATIC DIAGRAM .....	14
BLOCK DIAGRAM .....	4	IC BLOCK DIAGRAM .....	15
各部の名称 /INTERNAL VIEW .....	5	PARTS LIST .....	16~24
分解手順 /DISASSEMBLY .....	5/6	RS-2 .....	25/26

004570

SINCE 1887



# YAMAHA

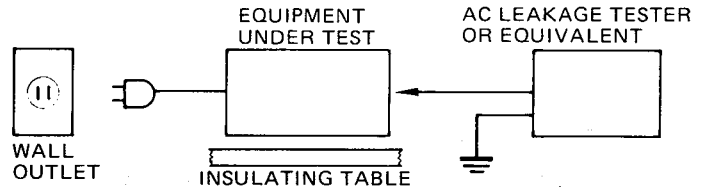
NIPPON GAKKI CO., LTD. HAMAMATSU, JAPAN

3.1k-092 Printed in Japan. '84.6

CD-2

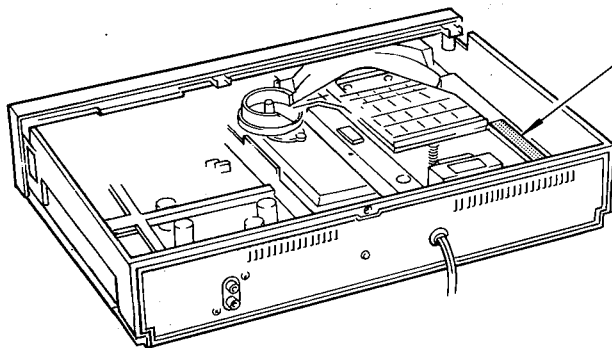
# TO SERVICE PERSONNEL

1. Critical Components Information.  
Components having special characteristics are marked  $\perp$  and must be replaced with parts having specifications equal to those originally installed.
2. Leakage Current Measurement (For 120V Model Only).  
When service has been completed, it is imperative that you verify that all exposed conductive surfaces are properly insulated from supply circuits.
  - Meter impedance should be equivalent to 1500 ohm shunted by 0.15 $\mu$ F
  - Leakage current must not exceed 0.5mA.
  - Be sure to test for leakage with the AC plug in both polarities.



**CAUTION – USE OF CONTROLS, ADJUSTMENTS, OR PERFORMANCE OF PROCEDURES OTHER THAN THOSE SPECIFIED HEREIN, MAY RESULT IN HAZARDOUS RADIATION EXPOSURE.**

**THE COMPACT DISC PLAYER SHOULD NOT BE ADJUSTED OR REPAIRED BY ANYONE EXCEPT PROPERLY QUALIFIED SERVICE PERSONNEL.**



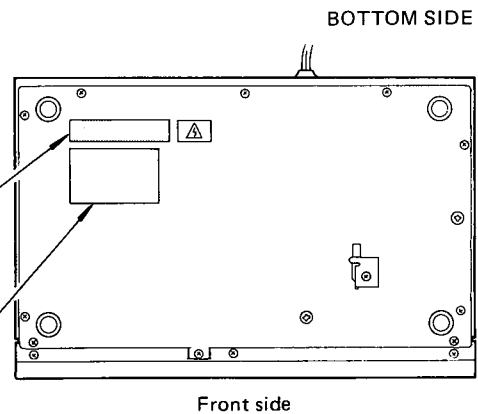
**DANGER—Invisible laser radiation when open and interlock failed or defeated.  
AVOID DIRECT EXPOSURE TO BEAM. (CA07826-1)**

THIS PRODUCT COMPLIES WITH DHHS RULES  
21 CFR SUBCHAPTER J APPLICABLE AT DATE  
OF MANUFACTURE (CB62401-0)

MANUFACTURED BY  
NIPPON CAKKI CO. LTD.  
10-1 NAKAZAWA-CHO, HAMAMATSU-SHI,  
SHIZUOKA-KEN, JAPAN

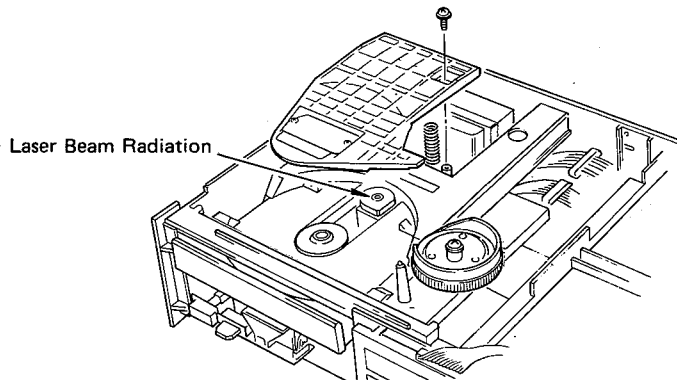
MANUFACTURED  
date code

(CB62400-1)

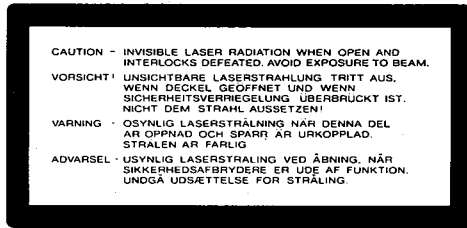


## LASER BEAM RADIATION SPOT

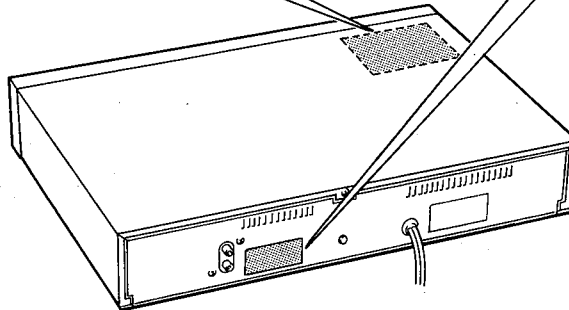
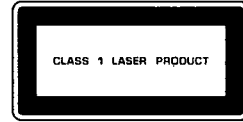
**Laser Diode Properties**  
Material: Ga-Al-As  
Wavelength: 765 – 795 nm (25°C)  
Laser Output: Continuous Wave max. 0.4 mW



This label is attached to the inside of the top cover, as illustrated, so that any further procedure will bring the user into exposure with the laser beam.



This label is attached to the place as illustrated to inform that the apparatus contains a laser component.



## ■ INTERLOCK OPERATION

The Digital Compact Disc Player reads the disc signals by detecting the laser beam. It must be avoided for the human body to directly receive the beam. Especially human eyes are badly affected by the beam. Therefore, the unit is equipped with an interlock to prevent the unnecessary laser outputs.

The laser outputs are controlled by the injection or cutoff of the constant voltage source to the laser diode at Pin 29 (LS) of IC313. (MSM6404RS). When Pin 29 is in "H" (High) level, the laser emits the beam. When Pin 29 is in "L" (Low) level, the laser does not emit the beam.

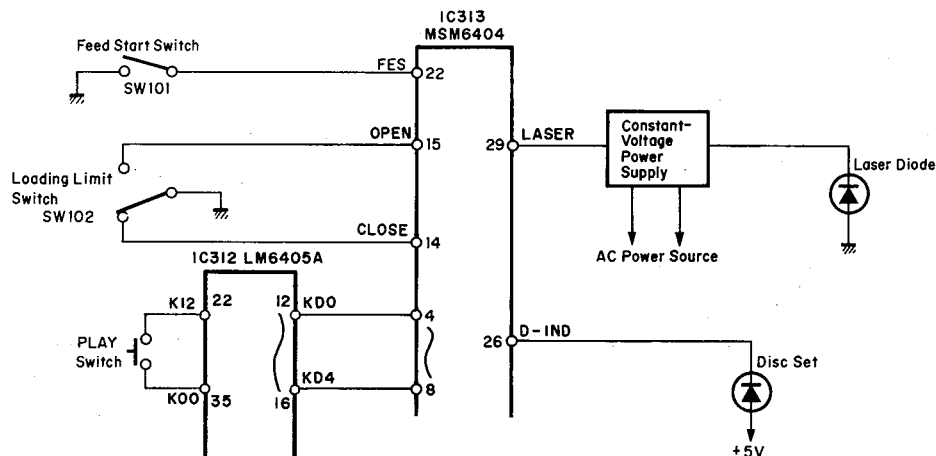
Pin 29 is set in "H" level when the unit is loaded with the disc and it reads the index signals or when the unit is set in the play mode after that. When the unit reads the index signals and the

following two conditions are met, the laser emits the beam.

- 1) when the Loading Limit Switch (SW102) is set in "CL" side. (The disc tray is closed.)
- 2) when the Feed Start Switch is in "OPEN" mode. (The pickup is located at the area of the minimum internal circumference.)

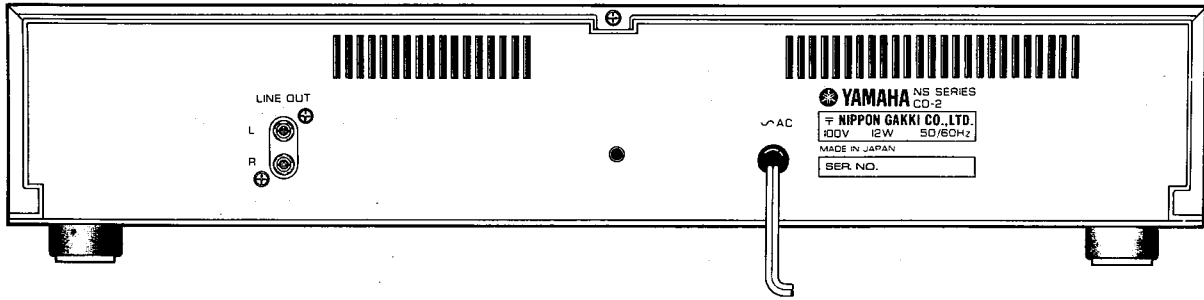
After the above conditions are met and the index signals have been read, the laser emits the beam when the following two conditions are met.

- 1) when the PLAY button is pressed.
- 2) when the DISC SET indicator LED is ON or flashing.

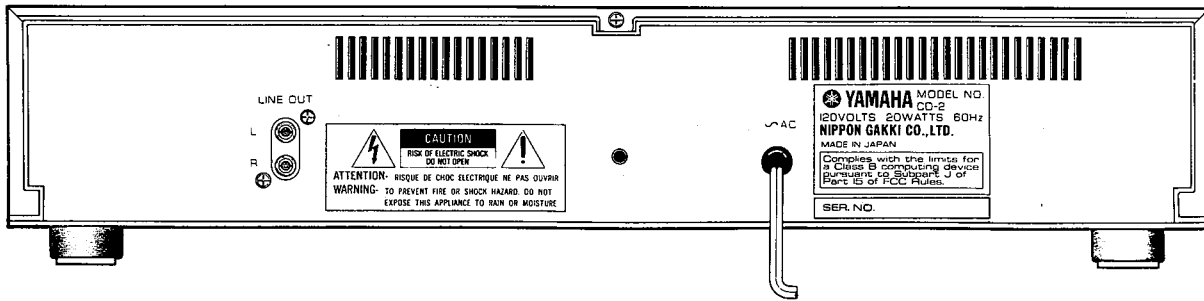


# リアパネル/REAR PANEL

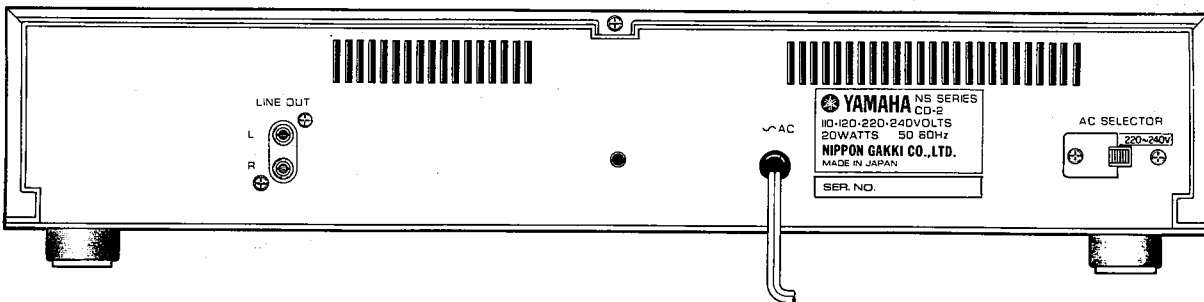
## ▼ Japanese model



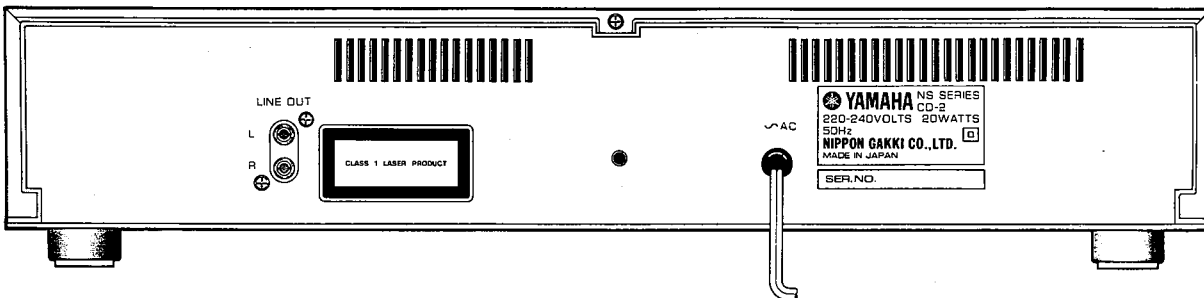
## ▼ U.S.A. and Canadian models



## ▼ General model



## ▼ Australian and European models



# 参考仕様

<b>型式</b>	コンパクト・ディスク・デジタル・オーディオ・システム
<b>オーディオ特性</b>	
周波数特性	3 ~ 20kHz ± 0.5dB
高調波歪率	0.0015%以下 (1kHz)
高調波歪 + 雑音	0.004%以下 (1kHz)
S/N比	フラット 96dB IECフラット 100dB IEC A 102dB
ダイナミックレンジ	96dB以上
ワウ・フラッター	測定検知限以下
チャンネル・セパレーション	95dB以上 (1kHz)
出力電圧	2 V rms (フルスケール時)
<b>機能</b>	
瞬速選曲	10キー、+-キーによる選曲
インデックス選曲	インデックスキーおよび10キー、+-キーによる頭出し
早送り・戻し	2速度自動切換+ポーズ時、分単位高速早送戻
残時間表示	リメインタイムキーにて
プログラム機能	12曲ランダム、合計時間表示またはプログラム順序表示
スペース・プレイ	スペースキーを押すことにより曲間に3秒以上のスペース
リピート	A ↔ B、全曲又はメモリー全部のリピート
リセット	ストップキー2度押し
オートポーズ	PLAY MODEセレクターSINGLEにて1曲毎またはA ↔ Bリピート各1回毎ポーズ
ディスクローディング	モーター駆動水平ローディング
<b>方式</b>	
光ピックアップ	3ビーム・レーザー
エラー訂正方式	CIRC. 2重エラー訂正方式
D/A変換	16ビットリニア
フィルター	デジタルフィルター+(7次LCフィルター)
<b>総合</b>	
電源	AC100V 50/60Hz
消費電力	12W
外形寸法	435W × 93H × 290D(mm)
重量	4.8kg
<b>付属機器</b>	
リモコン送信器	1
ピンプラグコード	1 m × 1
乾電池	単3 (SUM-3DG) × 2

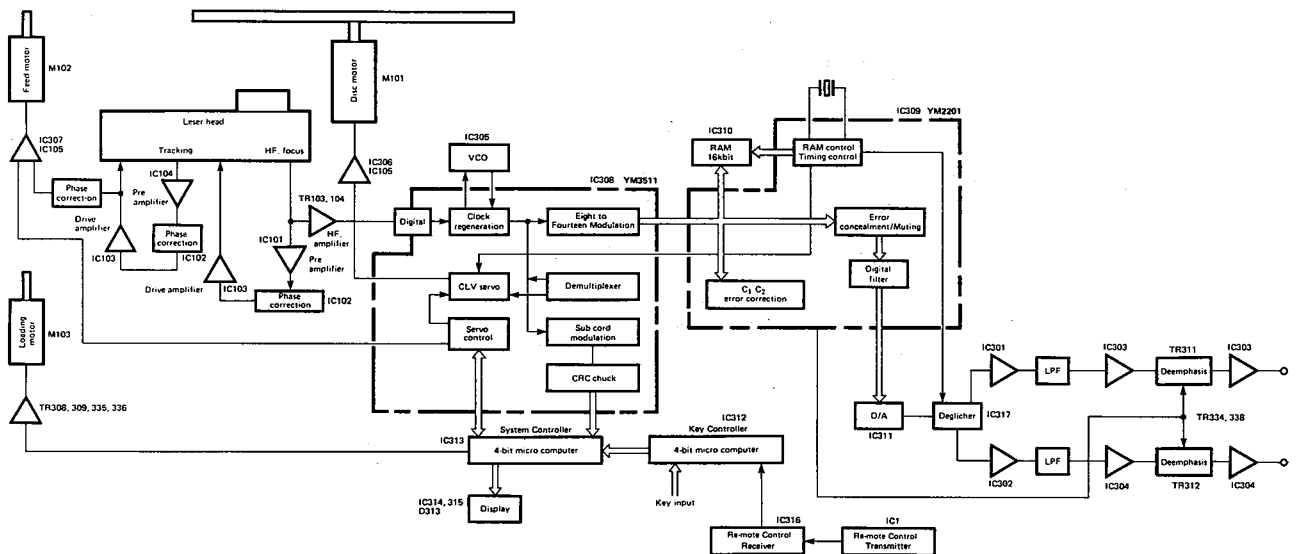
※仕様および外観は改良のため予告なく変更することがあります。

# SPECIFICATIONS

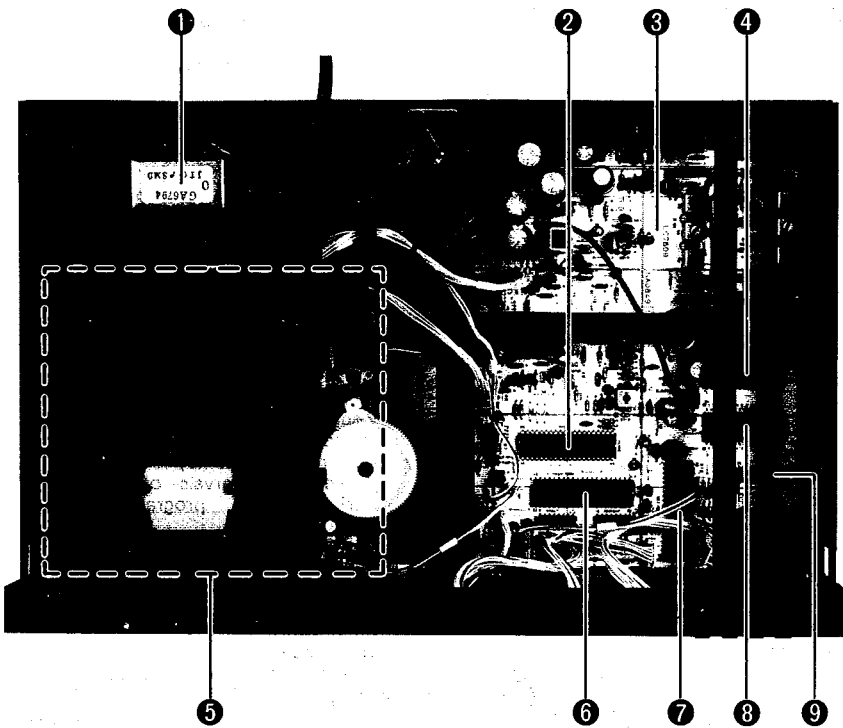
<b>SYSTEM</b>	Compact disc digital audio system
<b>AUDIO CHARACTERISTICS</b>	
Frequency Response	3-20,000 Hz, ±0.5dB
Harmonic Distortion	Less than 0.0015% (1 kHz)
Noise + Harmonic Distortion	Less than 0.004% (1 kHz)
Dynamic Range	Better than 96 dB
S/N Ratio	Flat 96 dB (1 kHz) IEC Flat 100 dB (1 kHz) IEC A 102 dB (1 kHz)
Wow and Flutter	Unmeasurable
Channel Separation	Better than 95 dB (1 kHz)
Output Voltage	2Vrms (at F.S.)
<b>FUNCTIONS</b>	
Program Selection	Direct with 10-key panel. Sequential with + and - keys.
Playback Programming	10-key entry, confirmation with check key, up to 12 selections, random playback.
High-Speed Search	2-speed fast forward/reverse with sound, high-speed search in pause.
Remaining Time Display	With remain time key
Space Play	Spaced at intervals of 3 seconds during normal, program or A-B repeat playback
Repeat	A through B, all selections, or all selections in memory
Reset	Press the Stop key twice
Auto Pause	Pause for each selection, or each time A through B is repeated (Single play mode)
Disc Loading	Motor driven horizontal loading
<b>DIGITAL SIGNAL PROCESSING</b>	
Optical Pickup	3-beam laser
Error Correction	CIRC
D/A Conversion	16-bit linear
Filter	Digital filter + (7th order LC filter)
<b>GENERAL</b>	
Power Supplies	
U.S. & Canadian Models	120V AC, 60Hz
European & Australian Models	240V/220V AC, 50Hz
General Model	110V-130V/220V-240V AC, 50/60Hz
Power Consumption	20W
Accessories	
Pin-Cord	1.2 m x 1
Remote Control Transmitter RS-2	1
(Dry Battery "AA" or R6 Type x 2)	
Dimensions (W x H x D)	435 x 93 x 290 mm (17-1/8" x 3-5/8" x 11-3/8")
Weight	4.8 kg (10 lbs. 1 oz.)

\*Specifications subject to change without notice.

# BLOCK DIAGRAM



## ■各部の名称/INTERNAL VIEW



- ① POWER TRANSFORMER
- ② SVC LSI: YM3511
- ③ MAIN CIRCUIT BOARD
- ④ DA CONVERTER IC: PCM53JP-V
- ⑤ DISC MECHANISM UNIT
- ⑥ MAIN  $\mu$ -COM IC: MSM6404
- ⑦ KEY  $\mu$ -COM IC: LM6405A
- ⑧ SGP LSI: YM2201
- ⑨ 16K BIT SRAM IC

## ■分解手順/DISASSEMBLY PROCEDURES

(番号順に取りはずしを行なってください。)

### 1. トップカバーのはずし方

- a. ①のネジ5本をはずし、後方へずらす。

### 2. フロントパネルのはずし方

- a. ②のネジ7本をはずし、前方へずらす。

### 3. ボトムカバーのはずし方

- a. ③のネジ6本をはずす。

(Remove parts in disassembly order as numbered)

### 1. Removal of Top Cover

- a. Remove 5 screws ( ① ) in fig. 1, and slide the Top Cover to the back side.

### 2. Removal of Front Panel

- a. Remove 7 screws ( ② ) in Fig. 1, and pull the Front Panel forward.

### 3. Removal of Bottom Cover

- a. Remove 6 screws ( ③ ) in fig. 1.

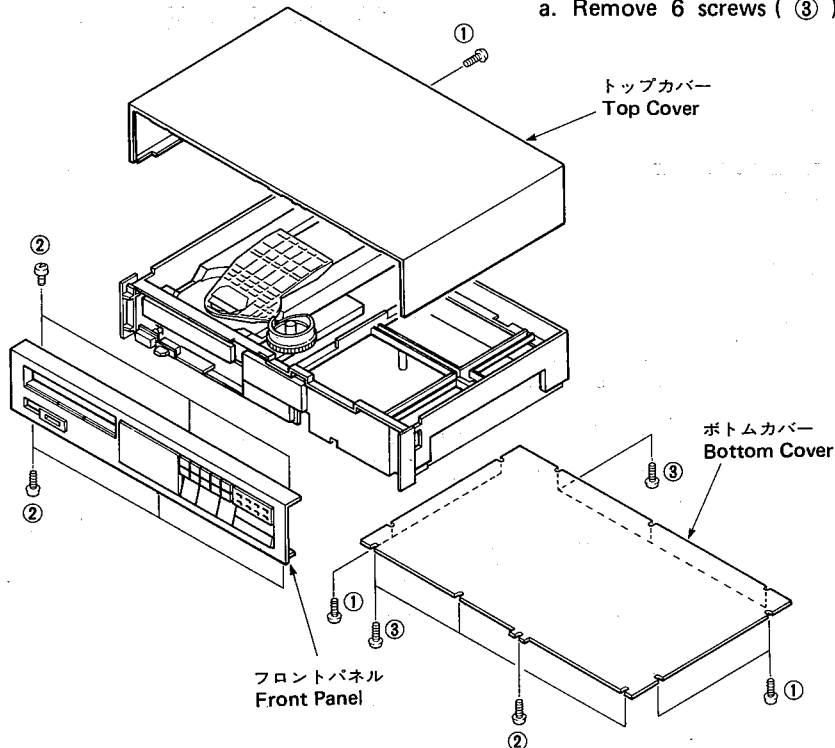


図 1  
Fig. 1

#### 4. ディスクトレイAss'yのはずし方

- a. フラッパーを手前に持ち上げ、ディスクトレイAss'yを引き出し、**Ⓐ**のフックを押して取り出します。  
この状態で傾角度調整ができます。

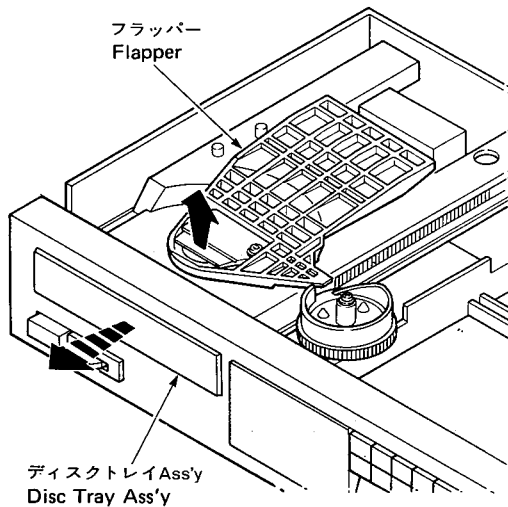


図 2  
Fig. 2

#### 4. Removal of DISC Tray Ass'y

- a. Lift Flapper as shown in fig. 2, and pull Disc Tray Ass'y forward.  
Then pull off Disc Tray Ass'y by pressing the hook **Ⓐ** in fig. 3. Now, the azimuth can be adjusted.

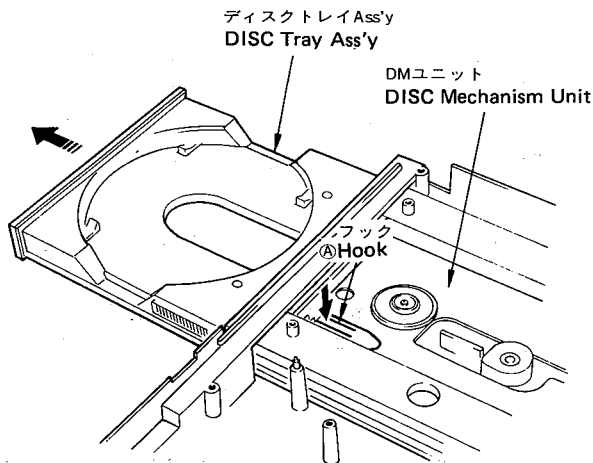


図 3  
Fig. 3

#### 5. DMユニットのはずし方

- a. **④**のネジ4本をはずす。

#### 6. フラッパーのはずし方

- a. フラッパーをとめている片方のネジ**⑤**をゆるめ、フラッパーをはずす。

#### 7. カムとクラッチのはずし方

- a. **⑥**のネジをはずし、カムとクラッチをはずす。  
取り付けの際は、クラッチの位置に注意してください。

#### 5. Removal of DISC Mechanism Unit

- a. Remove 4 screws (**④**) in fig. 4.  
b. Removal of Flapper.

#### 6. Removal of Flapper

- a. Loosen screw (**⑤**) fixing Flapper in fig. 5, and then remove the Flapper.

#### 7. Removal of Cam and Clutch

- a. Remove screw (**⑥**) in fig. 5 and then pull up the Cam and Clutch.  
\* For reinserting, be sure to align Cam and Clutch positions.

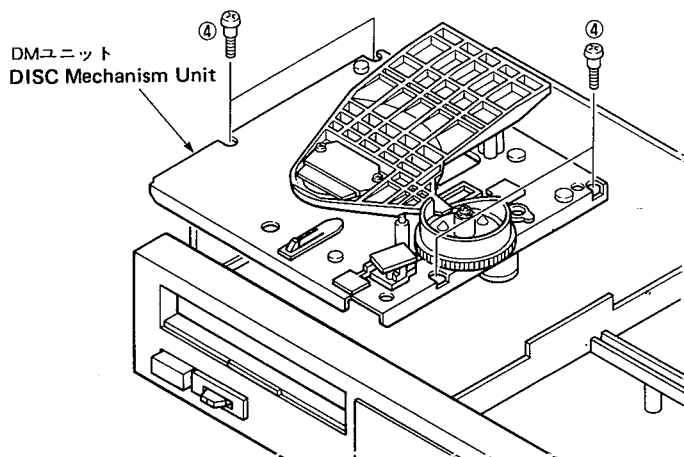


図 4  
Fig. 4

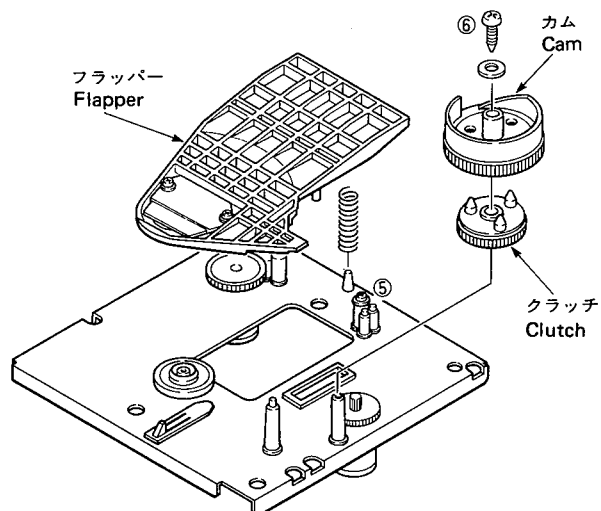


図 5  
Fig. 5

# 調整 / ADJUSTMENTS

## ● 測定器略称 / Measuring instruments abbreviation

- DCVM.....直流電圧計 / DC VOLTMETER (電池式 · Battery type)
- OSCI.....オシロスコープ / Oscilloscope
- AF.OSC.....低周波発振器 / Audio Frequency Oscillator
- ACVM.....交流電圧計 / AC VOLTMETER
- FC .....周波数カウンター / Frequency Counter

- ステップ1の標準モニター電流 ( $I_{mo}$ ) は、光ピックアップヘッドのラベルに記載してあります。(図8参照)

The standard monitor amperage ( $I_{mo}$ ) for Step 1 is indicated by the level on the pick up head. (Refer to fig. 8.)

- ステップ2の測定接続端子TERは、IC104の2PINです。IC308の16PIN(TER)では、ありません。

The terminal used for the measurement in Step 2 is not Pin No. 16 of IC308 but Pin No. 2 of IC104.

- ステップ3、4は、交流電圧計に図6のBPFを接続して測定してください。

On step 3 and 4 connect the BPF to the AC voltage-meter in fig. 6.

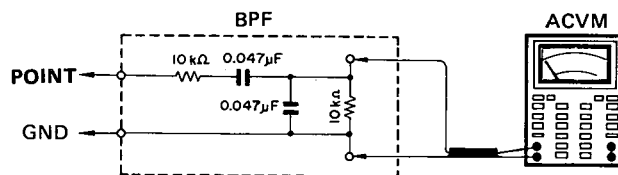


図6  
Fig. 6

- 低周波発振器に、図7のように220kΩの抵抗を接続して信号を加えてください。

出力レベルは、発振器の出力端子で測定してください。

Connect the audio frequency oscillator with the resistor 220kΩ.

Measure the output level at the output terminal of the oscillator.

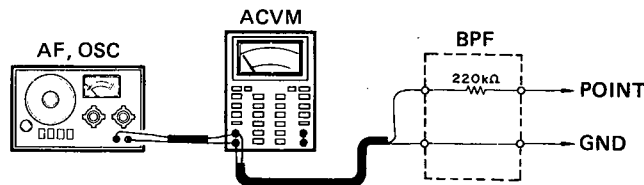


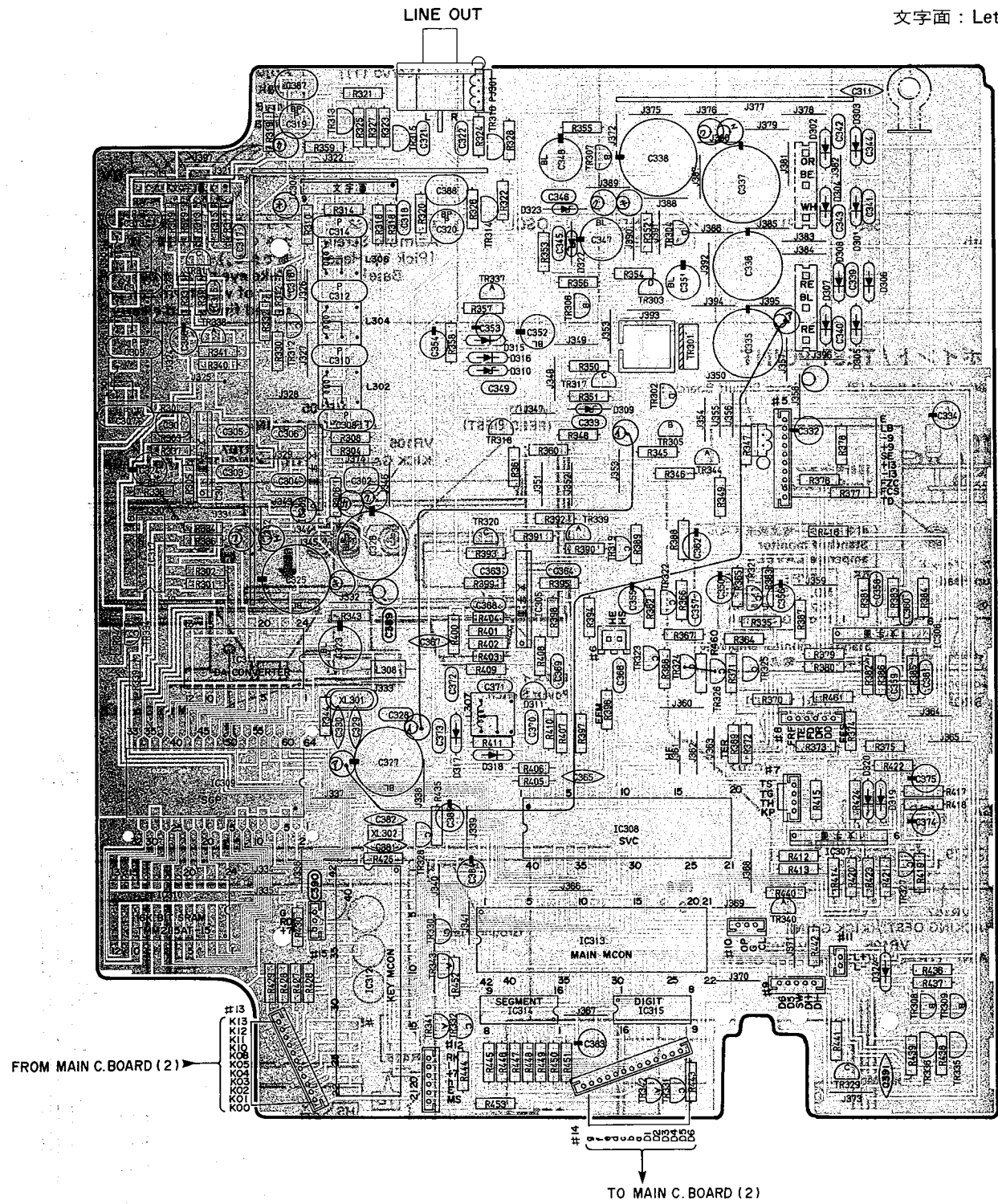
図7  
Fig. 7

- #○=コード, コネクター番号 / #○ = Code and connector numbers



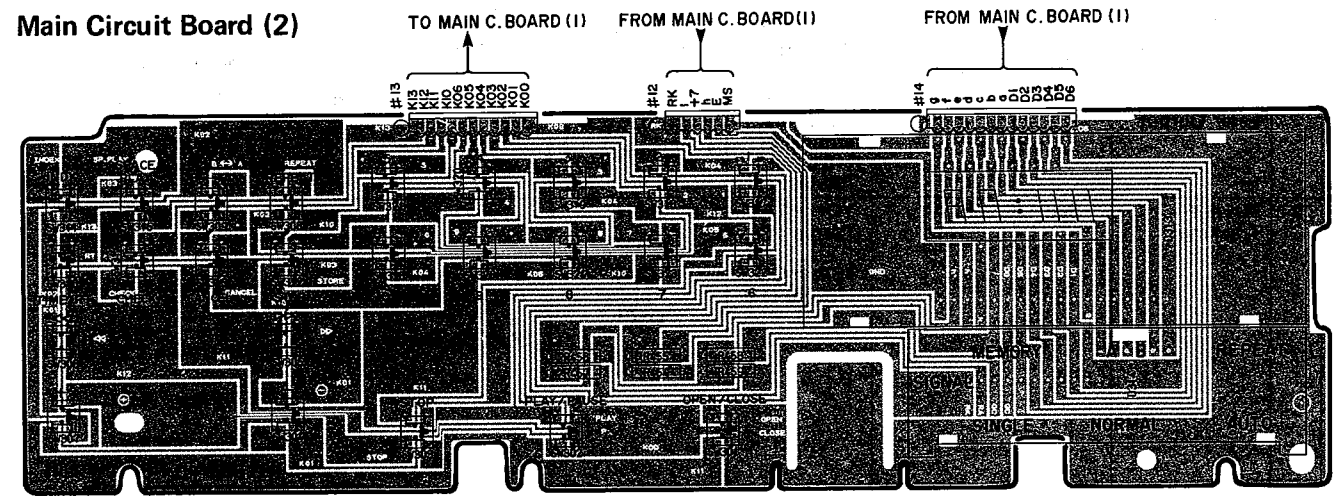
**PRINTED CIRCUIT BOARD (Pattern side)**

Main Circuit Board (1)

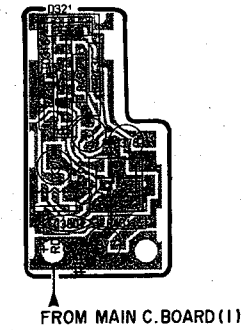


Note  
文字面 : Letter side

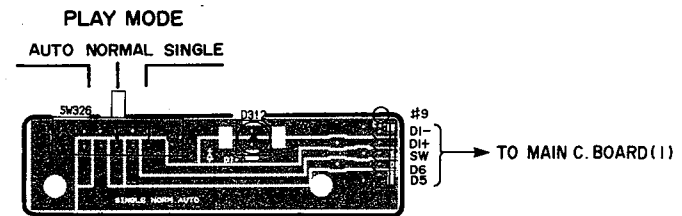
Main Circuit Board (2)



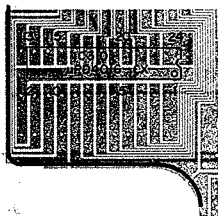
Main Circuit Board (3)




Main Circuit Board (4)



In case of  $\mu$ PC4016-CX (IC310)



ステップ Step	調整項目 Adjustment item	ディスク Disc	モード Mode	接続端子 Connection terminal	使用測定器 Instrument required	調整箇所 Adjustment method	規格 Rating of standard
1	レーザー出力 Leser Output	Set	PLAY	R101の両端 Across the terminal of R101 [Servo (2)]	DCVM (フローティング) Floating	VR101 [Servo (2)]	$E_{R101(V)} = I_{mo} (mA) \times 2.2(k\Omega)$ Ex $I_{mo} = 0.356mA$ $0.356(mA) \times 2.2(k\Omega) = 0.78(V)$
2	回折格子 Tracking	Set	PLAY	TDI ~ TAC [Servo (1)] TER ~ GND [Servo (1)]	Short ACVM or OSCI	回折格子ネジ Tracking Screw [Pick Up Head]	最大にする。(ただし±90°の範囲) (注)インフォメーションを読みとってから実施。 ディスク回転が止まったときは、再度PLAYにする。 調整後、ショートをはずして、HS信号がでていることを確認する。 HS信号の規格は、満足しなくてもよい。 (ステップ9、10参照) Maximum (Within ±90° though) Note: Act it on grasping information. In case turning of the disc stops, set in PLAY mode once again. After that, remove Short and then check HS signal. HS signal must be not necessarily within its rating. (Refer to Step 9 and 10.)
3	フォーカスサーボゲイン Focus Servo Gain	Set	PLAY	FDI ~ GND FAC ~ GND FGA ~ GND [Servo (1)]	BPF (Fig. 7) AF. OSC (1kHz, 1.5Vrms) BPF (Fig. 6) ACVM	VR102 FOCUS GAIN [Servo (1)]	$E_{FGA} = (E_{FAC} + 3dB) \pm 1dB$
4	トラッキングサーボゲイン Tracking Servo Gain	Set	PLAY	TDI ~ GND TAC ~ GND TGA ~ GND [Servo (1)]	BPF (Fig. 7) AF. OSC (1kHz, 20mVrms) BPF (Fig. 6) ACVM	VR105 TR. GAIN [Servo (1)]	$E_{TGA} = (E_{TAC} + 26dB) \pm 1dB$
5	キックゲイン Kick Gain	Set	▶▶ (Fast Forward) ◀◀ (Fast Back)	HF ~ GND [Main (1)]	OSCI	VR106 KICK GAIN [Servo (1)]	両モード共、プッシュSWを3秒以上押しつづけ波形観測してパルス数が10~15Cになるように調整する。 Adjust both modes so that pulse gains 10C~15C by keeping on pushing the push SW more than 3 seconds.  ※OSCIは、外部同期で観測する。 Observe OSCI on external periodicity.
6	フィードオフセット Feed Offset	Non Set	STOP			VR103 FE. OFST [Servo (1)]	半固定VRを機械的に中点にする。 Set the semi variable Resistor to the central position.
7	トラッキングオフセット Tracking Offset	Set	STOP	TD ~ GND [Main (1)]	DCVM	VR107 TR OFST [Servo (1)]	0V ± 20mV
8	VCO	Non Set	STOP	#6 EFMI ~ GND VCO ~ GND [Main (1)]	#6のコネクターをはずす Detach the connector (#6) Short FC	L307 VCO [Main (1)]	4.3218MHz ± 20kHz

ステップ Step	調整項目 Adjustment item	ディスク Disc	モード Mode	接続端子 Connection terminal	使用測定器 Instrument required	調整箇所 Adjustment method	規格 Rating of standard
9	HFレベル HF Level	Set	PLAY	HS ~ GND [Main (1)]	OSCI	VR104 HF GAIN [Servo (1)]	アイパターン波形のP-P値を2.0Vにする。 Adjust so that the rating between Peak and Peak of eye-pattern's waveform is 2.0V. Peak - Peak = 2.0V 
10	傾角度 Azimuth	Set	PLAY	HS ~ GND [Main (1)]	OSCI	角度調整ネジ Azimuth Screw [Pick Up Head Base]	アイパターンを最良にする。(波形が大きく、かつ線が細くはっきりと観測できる。) Make eye-pattern best. (All the lines of waveform can be observed finely and clearly.)

● テストポイント / TEST POINT

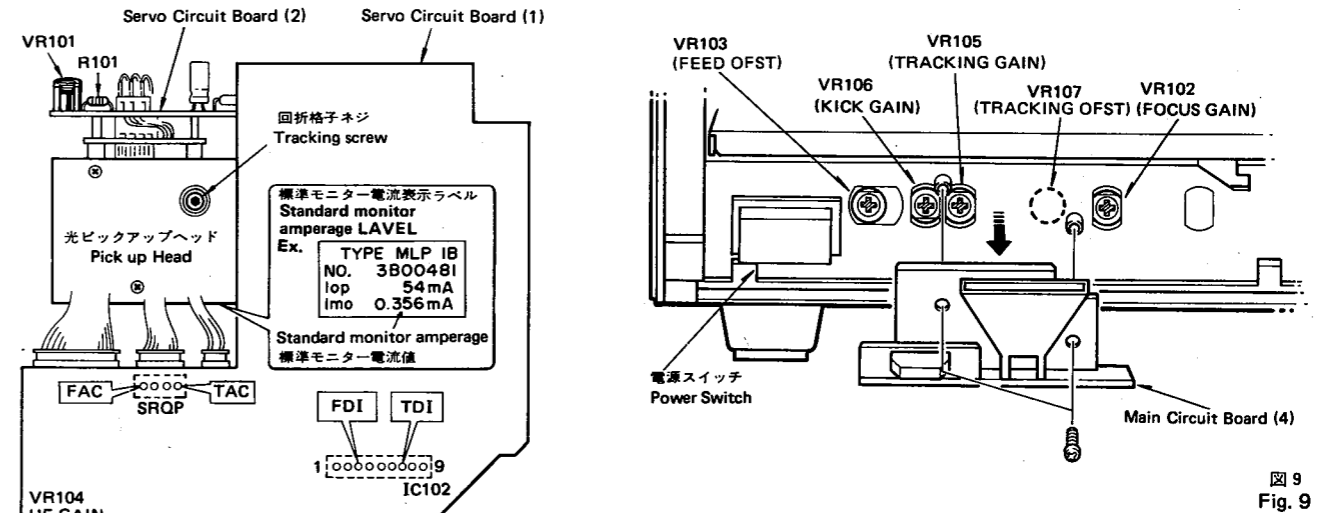
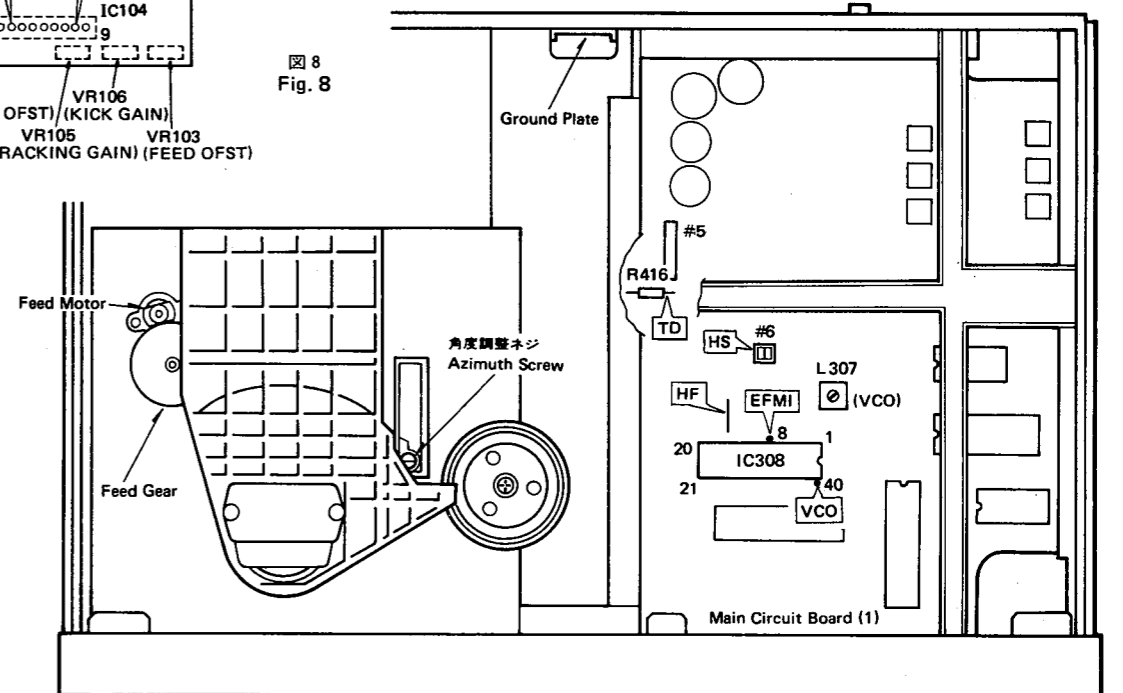


図8 Fig. 8

図9 Fig. 9

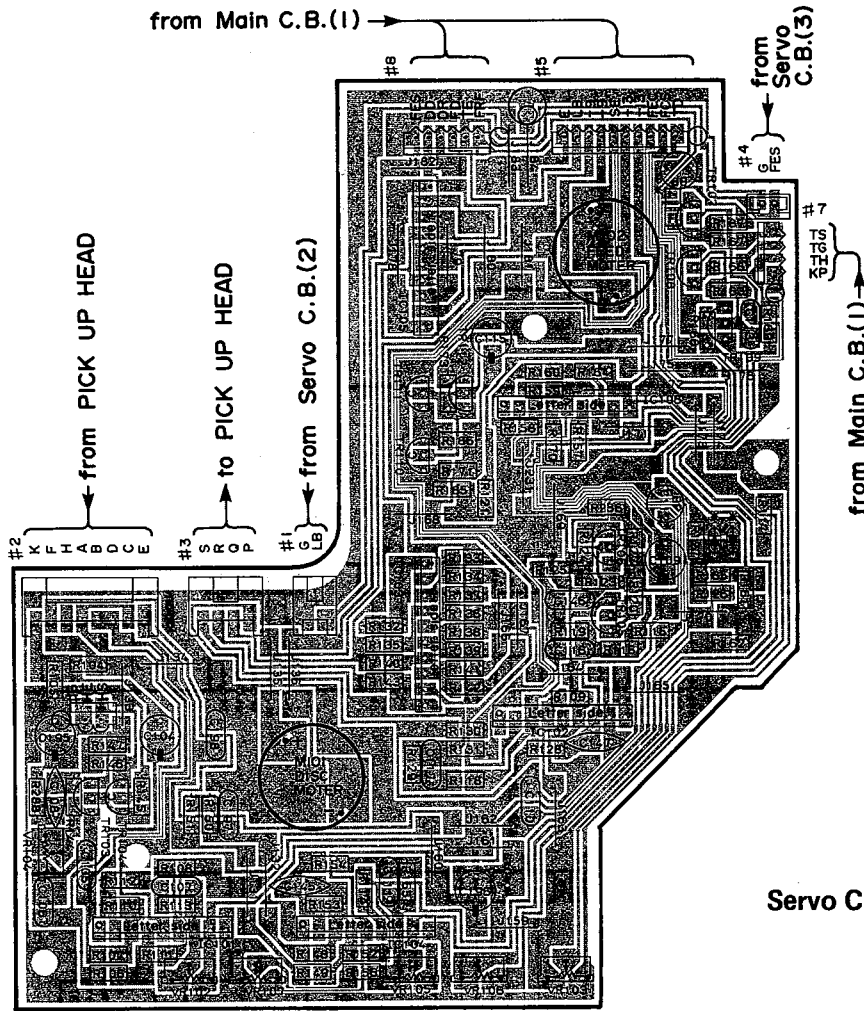


ディスクトレイAss'yを取り外した状態  
Condition is the Removing the disc tray Ass'y

図10 Fig. 10

Servo Circuit Board (1)

Note  
 文字面 : Letter side



Servo Circuit Board (3)

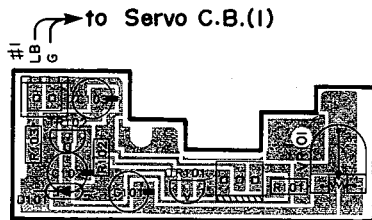
Focus Gain    Tracking offset    TR Gain    Kick Gain    Feed offset

FEED START SW



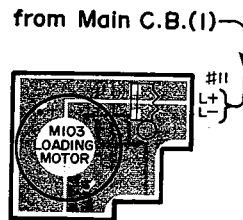
to Servo C.B.(1)

Servo Circuit Board (2)



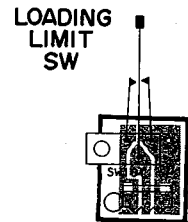
from PICK UP HEAD

Servo Circuit Board (4)

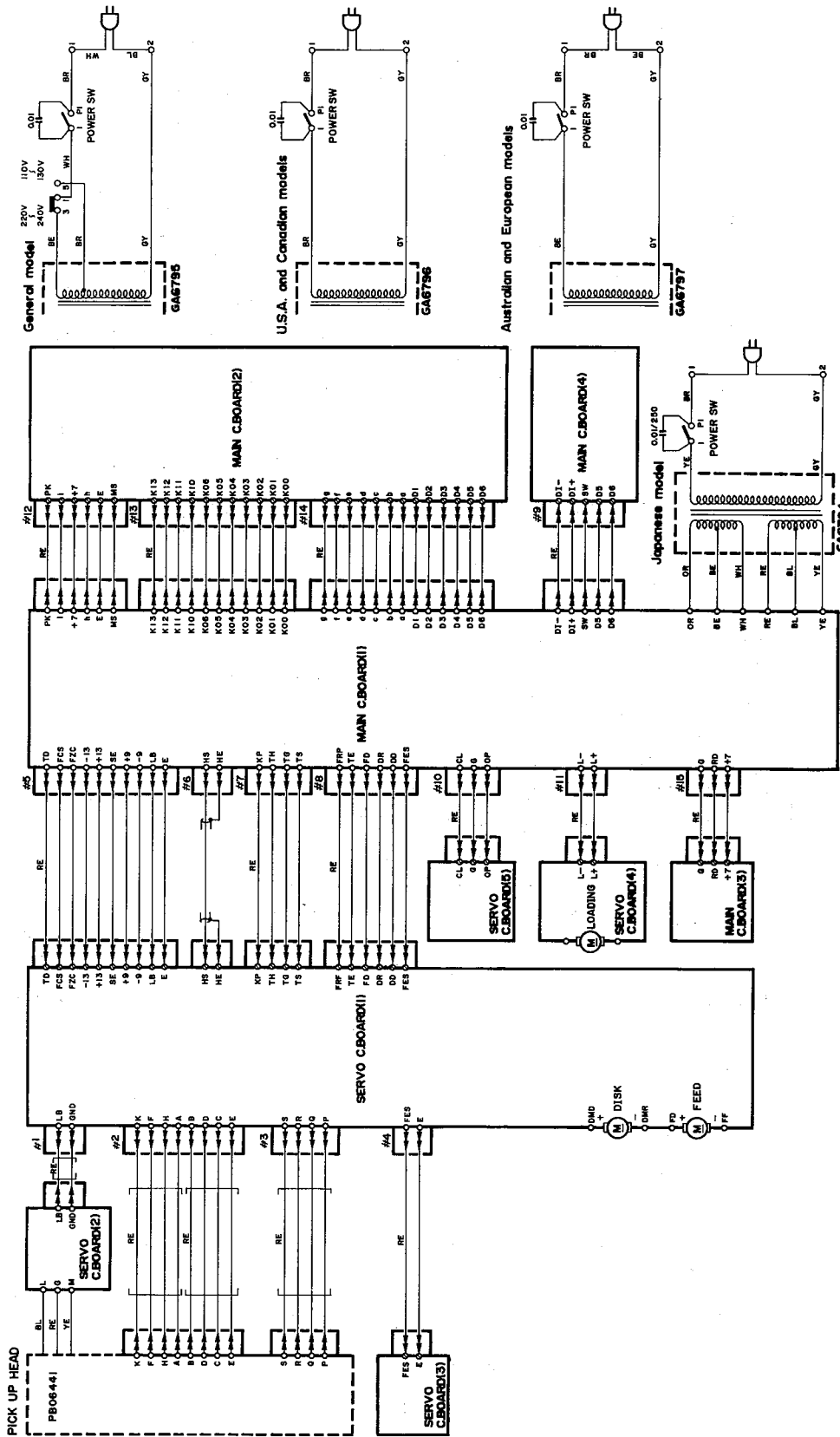


from Main C.B.(1)

Servo Circuit Board (5)



to Main C.B.(1)



- **WIRE COLOR ABBREVIATIONS**
- BL ▶ Black
  - BE ▶ Blue
  - BR ▶ Brown
  - VI ▶ Violet
  - RE ▶ Red
  - OR ▶ Orange
  - YE ▶ Yellow
  - WH ▶ White
  - GR ▶ Green

● #○=コード、コネクター番号  
Code and connector numbers

# PARTS LIST

● Components having special characteristics are marked  $\Delta$  and must be replaced with parts having specifications equal to those originally installed.  
 ● Carbon resistors of CD-2 are 1/4W and 1/6W. There is no description about them in this parts list. Use the "Parts No." HJ350000 (1/4W), HF850000 (1/6W) or equivalent.

CD-2

## ■電気部品/ELECTRICAL PARTS

Ref. No.	Part No.	Description	部 品 名	Remarks	Common Model	Markets	ランク
※	NA 08:49:00	<b>Servo Circuit Board</b>	サーボシート				13*
	FG 41:12:20	Ceramic Cap	セラコン	C145			010
	FU 35:05:00	Mica Cap	マイカコン	C147			010
	UA 25:31:80	Mylar Cap	マイラーコン	C197,198			021
	UA 25:36:80	"	"	C107			021
	UA 25:34:70	"	"	C146			021
	UA 25:42:20	"	"	C111			021
	UA 25:43:30	"	"	C116			021
	UA 55:51:00	"	"	C105,106			021
	UA 55:53:30	"	"	C110,113			020
	UA 55:54:70	"	"	C117			030
	UK 16:61:00	Electrolytic Cap	B P コ ン	C112			010
	UK 16:62:20	"	"	C118			010
	UW 92:81:00	"	ケ ミ コ ン	C101,104,109			010
	UW 93:71:00	"	"	C115			010
	UW 93:74:70	"	"	C195,196			010
	UT 45:26:80	Polypropylen Film Cap	ポリプロコン	C108			031
	HU 07:72:20	Metal Film Resistor	金属皮膜抵抗	R148,149			021
	HU 07:81:00	"	"	R152,153			021
	HT 37:03:90	Semi Variable Resistor	半固定抵抗	VR101			010
	HT 17:04:80	"	"	VR103,104,107			010
	HT 17:05:20	"	"	VR102,105			020
	HT 17:05:50	"	"	VR106			010
	UW 82:74:70	Electrolytic Cap	ケ ミ コ ン	C102,103			010
	iA 10:15:20	Transistor	トランジスタ	TR101,106,112	Inter-changeable 併用		031
	iA 11:15:10	"	"	"			031
	iA 11:27:00	"	"	"			031
	iC 05:35:00	"	"	TR103			031
	iC 18:15:20	"	"	TR104,110,111	Inter-changeable 併用		031
	iC 26:03:10	"	"	"			031
	iC 26:34:00	"	"	"			031
	iC 20:60:00	"	"	TR102	Inter-changeable		031
	iD 04:00:00	"	"	"			031
	iD 06:55:00	"	"	TR105,107~109	Inter-changeable 併用		031
	iD 13:02:00	"	"	"			031
	iC 28:78:00	"	"	"			031
	iF 00:61:70	LED	L E D	D101			010
	iG 08:02:00	IC	I C	IC104			030
	iG 07:68:00	"	"	IC101,102,106	Inter-changeable 併用		030
	iG 03:47:00	"	"	"			030
	iG 11:94:00	"	"	IC103,105			050
※	KA 90:69:70	Switch	リミットスイッチ	SW102			020
	KA 90:63:70	"	E N D ス イ ッ チ	SW101			020
	NA 08:49:10	<b>Main Circuit Board</b>	メインシート				32*
※	FC 36:41:00	Mylar Cap	マイラーコン	C328,339~346,349,331			021
※	FZ 00:65:40	"	"	C389			02*
	FC 36:44:70	"	"	C373			021
	FZ 00:55:80	"	"	C390			010
※	FZ 00:65:30	"	"	C321,322			02*

※ New Parts (新規部品)

ランク : Japan only

CD-2

Ref. No.	Part No.	Description	部 品 名	Remarks	Common Model	Markets	ランク
	FG 41 21 50	Ceramic Cap	150pF 50V	セラコン	C365		010
	FG 41 22 20	"	220pF 50V	"	C381,382		010
	FG 44 41 00	"	0.01 $\mu$ F 50V	"	C391		010
	FG 44 42 20	"	0.022 $\mu$ F 50V	"	C380		010
*	FF 09 23 30	Polystyrene Film Cap	330pF 100V	スチコン	C301,302		020
	FF 11 21 00	"	100pF 100V	"	C317,318		010
	Fi 19 12 70	Ceramic Cap	27pF 50V	セラコン	C329,330		010
	FU 35 11 00	Mica Cap	10pF 500V	マイカコン	C303,304		010
	FU 35 12 20	"	22pF 500V	"	C305,306		010
	FU 35 21 00	"	100pF 500V	"	C365		020
*	FZ 00 65 50	Electrolytic Cap	10 $\mu$ F 25V	BPコン	C319,320		03*
	FZ 00 49 40	Mylar Cap	0.1 $\mu$ F 50V	マイラーコン	C387,388,366		010
*	FZ 00 62 90	Electrolytic Cap	220 $\mu$ F 16V	ブラックゲートコン	C347,348		020
*	FZ 00 62 70	"	1000 $\mu$ F 6.3V	"	C323		030
*	FZ 00 61 30	"	220 $\mu$ F 6.3V	"	C350		02*
*	FZ 00 62 80	"	2200 $\mu$ F 16V	"	C325,326		040
*	FZ 00 64 10	"	22 $\mu$ F 25V	"	C324		010
*	FZ 00 64 20	"	470 $\mu$ F 16V	"	C327		030
	FZ 00 54 20	"	10 $\mu$ F 25V	"	C351,352		010
	UJ 24 93 30	"	3300 $\mu$ F 25V	"	C337,338		040
	UJ 13 92 20	"	2200 $\mu$ F 16V	"	C335,336		030
	UA 25 24 70	Mylar Cap	470pF 50V	マイラーコン	C369		021
	UA 25 31 00	"	1000pF 50V	"	C371,372		021
	UA 25 32 20	"	2200pF 50V	"	C358,359		021
	UA 25 33 30	"	3300pF 50V	"	C368		021
	UA 25 41 00	"	0.01 $\mu$ F 50V	"	C363		021
	UA 25 44 70	"	0.047 $\mu$ F 50V	"	C361		021
	UA 25 46 80	"	0.068 $\mu$ F 50V	"	C357,360		021
	UT 45 23 30	Polypropylene Film Cap	330pF 100V	ポリプロコン	C364		031
	UT 45 22 20	"	220pF 100V	"	C367		010
*	UT 46 31 00	"	1000pF 100V	"	C307,308		010
*	UT 46 32 00	"	2000pF 100V	"	C313,314		010
*	UT 46 32 40	"	2400pF 100V	"	C309,310		010
*	UT 46 32 70	"	2700pF 100V	"	C311,312		010
	UT 45 41 00	"	0.01 $\mu$ F 100V	"	C333,370		010
*	FZ 00 65 20	Mylar Cap	0.015 $\mu$ F 50V	マイラーコン	C315,316		01*
	UJ 11 81 00	Electrolytic Cap	100 $\mu$ F 6.3V	ケミコン	C384		010
	UW 92 81 00	"	100 $\mu$ F 10V	"	C375		010
	UW 82 82 20	"	220 $\mu$ F 10V	"	C383		010
	UW 93 71 00	"	10 $\mu$ F 16V	"	C332,334,362,376,378		010
	UW 93 74 70	"	47 $\mu$ F 16V	"	C355,356,377		010
	UW 93 81 00	"	100 $\mu$ F 16V	"	C353		010
	UW 94 64 70	"	4.7 $\mu$ F 25V	"	C379		010
	UW 96 61 00	"	1 $\mu$ F 50V	"	C385,386		010
	UW 96 62 20	"	2.2 $\mu$ F 50V	"	C374		010
	UW 96 71 00	"	10 $\mu$ F 50V	"	C354		010
*	GD 90 06 40	Filter Coil		フィルターコイル	L301,302		030
*	GD 90 06 50	"		"	L303,304		030
*	GD 90 06 60	"		"	L305,306		030
	GE 30 02 40	Inductor	10 $\mu$ H	インダクター	L308		010
	GE 90 12 30	"	7.9mH	"	L309		030
	GE 90 15 00	OSC Coil	3.3mH	発振コイル	L307		03*

\*New Parts (新規部品)

ランク : Japan only

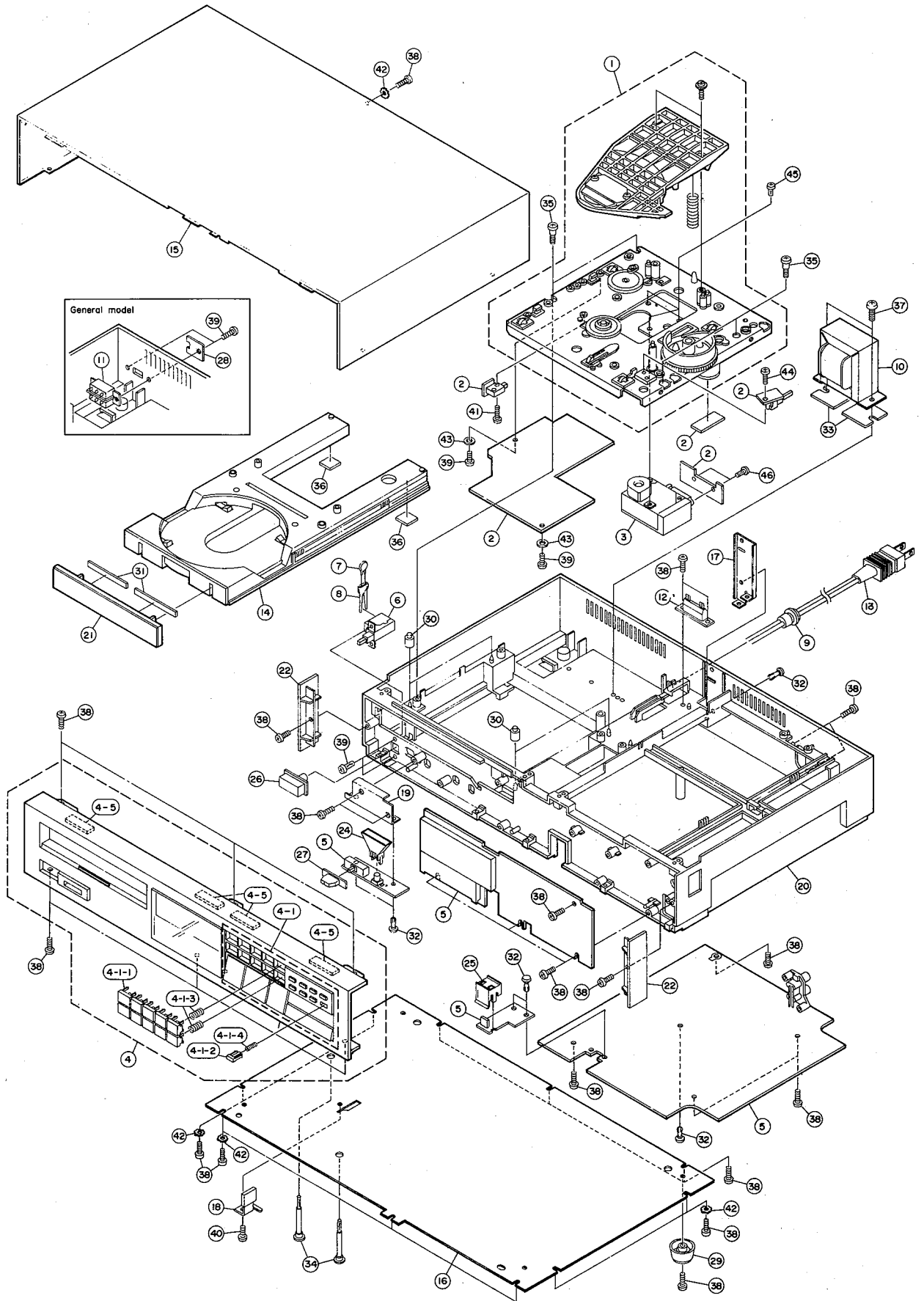
Ref. No.	Part No.	Description	部 品 名	Remarks	Common Model	Markets	ランク
	GG:00:07:00	Ceramic Crystal Unit	FCR400K	セラミック振動子	XL302		040
	QU:00:58:00	Quartz Crystal Unit	8.64MHz	水晶振動子	XL301		050
	HU:57:72:20	Metal Film Resistor	22kΩ ¼W	金属皮膜抵抗	R403~406		021
	iA:10:15:20	Transistor	2SA1015(Y)	トランジスタ	TR337~344	Inter-changeable 併用	031
	iA:11:15:10	"	2SA1115(E,F)	"	"		031
	iA:11:27:00	"	2SA1127(R,S,T)	"	"		031
	iA:09:34:00	"	2SA934	"	TR305~309	Inter-changeable 併用	031
	iB:05:44:00	"	2SB544	"	"		031
	iC:28:78:00	"	2SC2878	"	TR311~316	Inter-changeable 併用	031
	iC:18:15:20	"	2SC1815(Y)	"	TR317~332,334		031
	iC:26:03:10	"	2SC2603(E,F)	"	"		031
	iC:26:34:00	"	2SC2634(R,S,T)	"	"		031
	iC:19:83:00	"	2SC1983	"	TR301	Inter-changeable 併用	030
	iD:07:43:00	"	2SD743	"	"		030
	iD:08:80:00	"	2SD880(O,Y)	"	"		030
	iC:20:60:00	"	2SC2060	"	TR302~304	Inter-changeable 併用	031
	iD:04:00:00	"	2SD400	"	"		031
	iC:32:25:00	"	2SC3225	"	TR335,336	Inter-changeable 併用	03*
	iD:11:40:00	"	2SD1140	"	"		031
	iF:00:00:40	Diode	1S1555	ダイオード	D315~320,324	Inter-changeable 併用	010
	iF:00:00:50	"	1S2076	"	"		010
	iF:00:06:70	"	1S2473	"	"		010
	iF:00:16:90	Zener Diode	RD5.6EB3	ツェナーダイオード	D309		010
	iF:00:17:00	"	RD15EB3	"	D322,323		010
	iF:00:35:50	"	HZ12B-2	"	D310		010
	iF:00:44:50	LED	SLV-56MC3HN	L E D (緑)	D312		010
	iF:00:45:90	Photo Diode	TPS703	フォトダイオード	D321	Inter-changeable 併用	040
	iF:00:47:10	"	PH302	"	"		040
	iF:00:49:10	Varactor Diode	ISV55	バラクタダイオード	D311	Inter-changeable 併用	020
	iF:00:49:20	"	SVC211	"	"		020
※	iF:00:78:10	Display Unit		表示器ユニット	D313		120
※	iF:00:78:30	"		"	D314		070
	iX:60:23:40	Diode	ISR35-100A	ダイオード	D301~308		020
	iG:03:54:10	IC	LA3170	I C	IC301,302		042
	iG:05:51:00	"	TC4053BP	"	IC317	Inter-changeable 併用	050
	iG:10:59:00	"	μPD4053	"	"		050
	iG:09:25:00	"	μPC1373H	"	IC316		030
	iG:08:02:00	"	NJM2043S	"	IC305		030
	iG:03:47:00	"	AN6551	"	IC306,307	Inter-changeable 併用	030
	iG:05:82:00	"	M5218L	"	"		030
	iG:07:68:00	"	NJM4558S	"	"		030
	iG:13:22:00	"	BA715	"	"		030
	iG:11:91:00	"	PCM53JP-V	"	IC311		150
	iG:11:92:00	"	μPD4016-CX	"	IC310	Inter-changeable 併用	100
	iG:12:13:00	"	HM6116ASP-20	"	"		100
	iG:13:18:00	"	TMM2115AT-15	"	"		100
	iG:13:20:00	"	BA618	"	IC314		040
	iG:13:30:00	"	BA4561S	"	IC303,304	Inter-changeable 併用	040
	iG:12:18:00	"	NJM4560S	"	"		04*

※ New Parts (新規部品)

ランク : Japan only







# メカ部品/MECHANISM PARTS

Ref. No.	Part No.	Description	部 品 名	Remarks	Common Model	Markets	ランク
1	NB:61:67:10	Disc Mechanism Unit	D M ユ ニ ッ ト		CD-X1		46*
2	NA:08:49:00	Servo Circuit Board	サ ー ボ シ ー ト				13*
3	PB:06:44:10	Pick Up Head	光ピックアップヘッド				440
4	NB:62:10:40	Panel Unit	パ ネ ル ユ ニ ッ ト				13*
"	NB:62:10:50	"	"				13*
4-1	NB:62:11:10	Push Button Ass'y	プッシュボタンAss'y				10*
4-1	NB:62:11:20	"	"				10*
4-1-1	CB:63:12:20	Button	キ ー ボ タ ン	1			03*
"	CB:63:11:20	"	"	"			03*
"	CB:63:12:30	"	"	2			03*
"	CB:63:11:30	"	"	"			03*
"	CB:63:12:40	"	"	3			03*
"	CB:63:11:40	"	"	"			03*
"	CB:63:12:50	"	"	4			03*
"	CB:63:11:50	"	"	"			03*
"	CB:63:12:60	"	"	5			03*
"	CB:63:11:60	"	"	"			03*
"	CB:63:12:70	"	"	6			03*
"	CB:63:11:70	"	"	"			03*
"	CB:63:12:80	"	"	7			03*
"	CB:63:11:80	"	"	"			03*
"	CB:63:12:90	"	"	8			03*
"	CB:63:11:90	"	"	"			03*
"	CB:63:13:00	"	"	9			03*
"	CB:63:12:00	"	"	"			03*
"	CB:63:13:10	"	"	0			03*
"	CB:63:12:10	"	"	"			03*
4-1-2	CB:63:13:30	"	オ P ボ タ ン				02*
"	CB:63:13:20	"	"				02*
4-1-3	AA:62:27:90	Spring	ス プ リ ン グ				01*
4-1-4	AA:62:25:40	"	オ P ス プ リ ン グ				01*
4-5	CB:63:31:40	Pad, Antivibration	防 振 パ ッ ド				01*
5	NA:08:49:10	Main Circuit Board	メ イ ン シ ー ト				32*
6	KA:80:32:90	Power Switch	SDLC-1P	パ ワ ー ス イ ッ チ			030
7	Fi:32:41:00	Ceramic Cap	0.01 $\mu$ F 250V	セ ラ コ ン		J	010
"	Fi:38:41:00	"	0.01 $\mu$ F	"		R.U.A.E.C	
8	CB:60:19:00	Cover		コ ン デ ン サ ー カ バ ー		J	010
"	CB:60:08:10	"		"		R.U.A.E.C	
9	CB:61:68:10	Cord Stopper	CM-22A	コ ー ド ス ト ッ パ ー		U.C	
"	CB:62:01:90	"	CM-22B	"		R.A.E	
"	CB:62:02:00	"	CM-22C	"		J	010
10	GA:67:94:10	Power Transformer		電 源 ト ラ ン ス		J	090
"	GA:67:95:00	"		"		R	
"	GA:67:96:00	"		"		U.C	
"	GA:67:97:00	"		"		A.E	
11	KA:40:12:60	Slide Switch		ス ラ イ ド ス イ ッ チ		R	
12	LA:00:29:50	Terminal Plate	2P	中 継 端 子 台			020
13	MG:00:12:10	Power Cord	15A 125V 2m	電 源 コ ー ド		J	060
"	MG:00:16:30	"	6A 250V 2m	"		R	
"	MG:00:08:40	"	10A 125V 2m	"	Inter-changeable	U.C	
"	MG:00:12:40	"	10A 125V 2m	"		U.C	
"	MG:00:09:20	"	7.5A 250V 2.5m	"	Inter-changeable	A	
"	MG:00:14:90	"	7.5A 250V 2.5m	"		A	

※New Parts (新規部品)

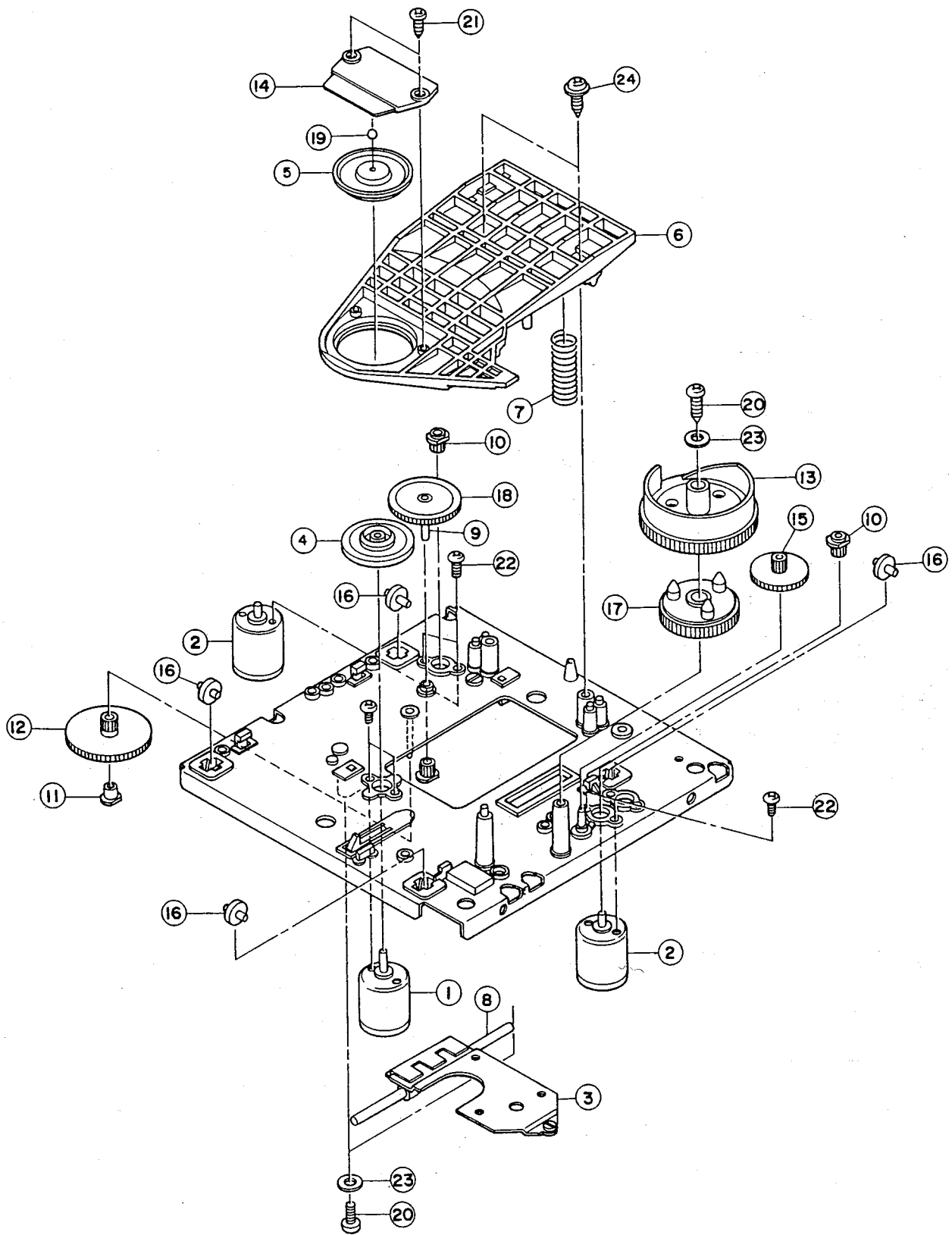
ランク : Japan only

Ref. No.	Part No.	Description	部 品 名	Remarks	Common Model	Markets	ランク
13	MG:00:16:20	Power Cord	2.5A 250V 2m	電 源 コ ー ド		E	
14	NB:61:67:30	Disc Tray Ass'y		ディスクトレイAss'y	CD-X1		080
※ 15	AA:62:25:70	Top Cover	Black	ト ッ プ カ バ ー			080
※ "	AA:62:25:80	"	Silver	"			080
※ 16	AA:62:25:90	Bottom Cover	Black	ボ ト ム カ バ ー			060
※ "	AA:62:26:00	"	Silver	"			050
17	AA:61:94:20	Ground Plate		ア ー ス 金 具	CD-X1		010
18	AA:62:09:80	Plate,Antivibration		防 振 金 具	CD-X1		02*
※ 19	AA:62:25:50	Holder		基 板 ホ ル ダ ー			010
※ 20	CB:63:04:50	Main Chassis		メ イン シ ャ ー シ		J.U.A.E.C	080
※ "	CB:63:04:60	"		"		R	
※ 21	CB:63:15:60	Lid	Black	リ ッ ツ ド			030
※ "	CB:63:15:70	"	Silver	"			050
※ 22	CB:63:15:90	Side Plate	Black	サ イ ド プ レ ー ト			020
※ "	CB:63:16:20	"	Silver	"			030
※ 24	CB:63:14:00	Housing,LED		L E D ハ ウ ジ ン グ			010
※ 25	CB:63:15:80	Filter		フ ィ ル タ ー			010
※ 26	CB:63:15:20	Power Button	Black	パ ワ ー ボ タ ン			010
※ "	CB:63:15:30	"	Silver	"			030
※ 27	CB:63:15:40	Slide Button	Black	ス ラ イ ド ボ タ ン	PLAY MODE		010
※ "	CB:63:15:50	"	Silver	"	"		020
※ 28	CB:63:17:70	Plate,Stopper		ス ト ッ パ ー プ レ ー ト		R	
※ 29	CB:63:21:90	Leg		脚			010
※ 30	CB:62:84:10	Damper		F T ダ ン パ ー	CD-X1		010
※ 31	CB:63:31:50	Pad,Antivibration		防 振 パ ッ ド			010
※ 32	CB:06:88:80	Plastic Rivet		プ ラ ス チ ッ ク リ ベ ッ ト			010
※ 33	CB:63:31:20	Rubber,Antivibration		防 振 ゴ ム			010
※ 34	AA:62:26:40	Screw		輸 送 ネ ジ			02*
※ 35	AA:62:12:10	"		段 付 ネ ジ			02*
※ 36	CB:63:31:30	Rubber,Antivibration		防 振 ゴ ム			010
37	Ei:04:01:26	Binding Head Tapping Screw	4x12 ZMC2-Y	バ イ ン ド タ ッ ピ ン グ ネ ジ	PACK		010
38	Ei:33:01:06	"	3x10 ZMC2-BI	"	PACK		010
39	ED:33:00:86	Binding Head Screw	3x8 FCRM3-BI	バ イ ン ド 小 ネ ジ	PACK		010
40	EX:00:01:80	Binding Head Tapping Screw	3x8 FCM3-Br-P	バ イ ン ド タ ッ ピ ン グ ネ ジ			010
41	Ei:02:01:00	"	2x10 ZMC2-Y	"			010
42	EV:42:30:36	Toothed Lock Washer	φ3 FCRM3-BI	歯 付 座 金	PACK		010
43	EV:20:30:36	Plain Washer	φ3 FCRM3-BI	平 座 金	PACK		010
44	Ei:02:61:00	Binding Head Tapping Screw	2.6x10 ZMC2-Y	バ イ ン ド タ ッ ピ ン グ ネ ジ			010
45	ED:32:60:66	Binding Head Screw	2.6x6 FCRM3-BI	バ イ ン ド 小 ネ ジ	PACK		010
46	ED:02:00:36	"	2x3 ZMCZ-Y	"	PACK		010
		<b>Accessories</b>		付 属 品			
※ Mi:06:62:10		Pin-Pin Cord	1.2m	出 力 コ ー ド		R.U.A.E.C	
※ Mi:08:17:90		"	1m	接 続 コ ー ド	B-70	J	050
※ PB:06:45:70		Remote Control Transmitter	RS-2	リ モ ー ト コ ン ト ロ ー ル ト ラ ン ス ミ ッ タ ー			120
		Dry Battery	SUM-3 (AA,R6)	単 3 乾 電 池			

\*New Parts (新規部品)

ランク : Japan only

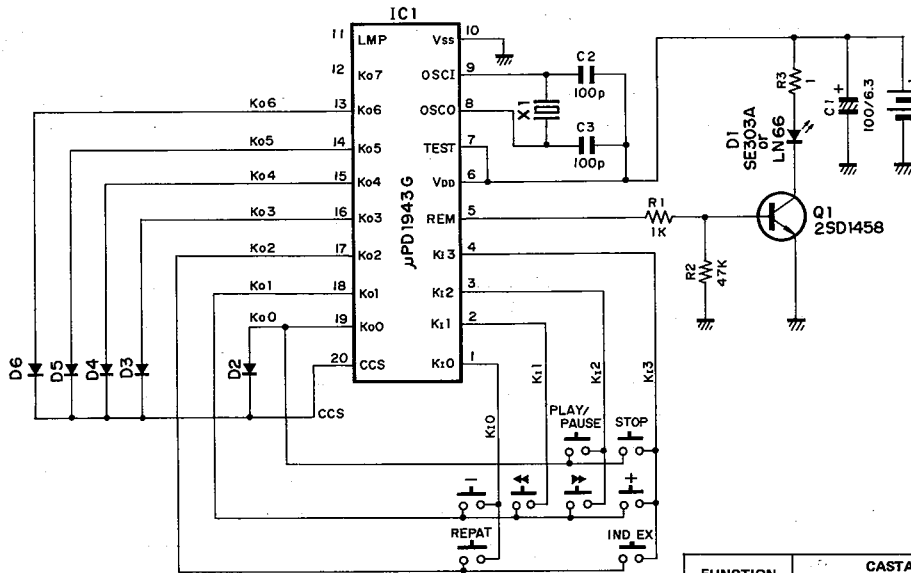
■ 分解図/EXPLODED VIEW (DTユニット/Disc Mechanism Unit)





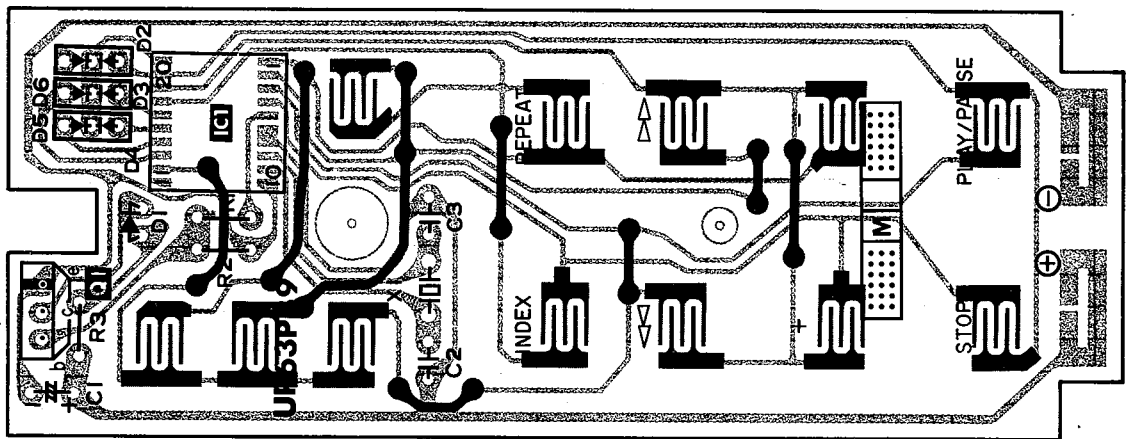
# RS-2 REMOTE CONTROL TRANSMITTER

## ■ SCHEMATIC DIAGRAM

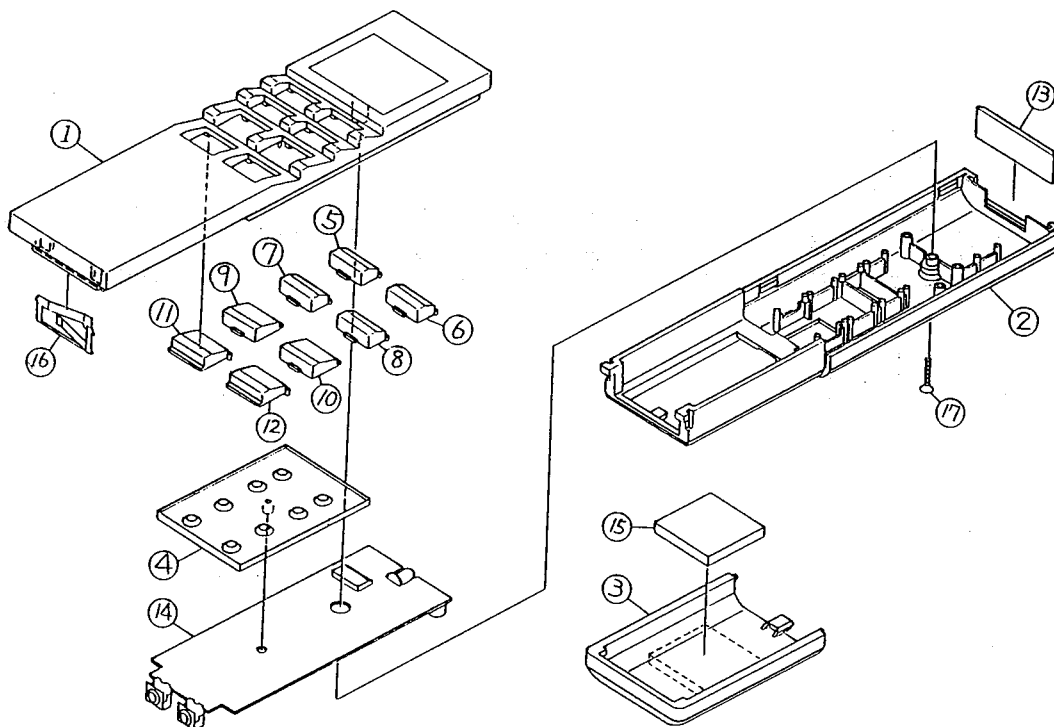


FUNCTION	CASTAM CODE							DATA CODE								
	0	1	2	3	4	5	6	7	0	1	2	3	4	5	6	7
PLAY/PAUSE	1	0	0	1	1	1	1	0	0	1	0	0	0	0	0	0
STOP	1	0	0	1	1	1	1	0	1	1	0	0	0	0	0	0
←	1	0	0	1	1	1	1	0	0	0	1	0	0	0	0	0
↶	1	0	0	1	1	1	1	0	1	0	1	0	0	0	0	0
↷	1	0	0	1	1	1	1	0	0	1	1	0	0	0	0	0
+	1	0	0	1	1	1	1	0	1	1	1	0	0	0	0	0
REPEAT	1	0	0	1	1	1	1	0	0	0	0	1	0	0	0	0
INDEX	1	0	0	1	1	1	1	0	1	1	0	1	0	0	0	0

## ■ PRINTED CIRCUIT BOARD



# EXPLODED VIEW



## PARTS LIST

Ref. No.	Part No.	Description	部品名	Remarks	Common Model	Markets	ランク
※ 1	XX 63 84 10	Case (A)	ケース (A)				08 *
※ 2	XX 63 84 20	Case (B)	〃 (B)				07 *
※ 3	XX 63 84 30	Cover, Battery	電池 ブタ				04 *
※ 4	XX 63 84 40	Rubber	ゴム 接点				04 *
※ 5	XX 63 84 50	Button	ボ タ ン	REPEAT			03 *
※ 6	XX 63 84 60	〃	〃	INDEX			03 *
※ 7	XX 63 84 70	〃	〃	◀◀			03 *
※ 8	XX 63 84 80	〃	〃	▶▶			03 *
※ 9	XX 63 84 90	〃	〃	-			03 *
※ 10	XX 63 85 00	〃	〃	+			03 *
※ 11	XX 63 85 10	〃	〃	PLAY/PAUSE			03 *
※ 12	XX 63 85 20	〃	〃	STOP			03 *
※ 13	XX 63 85 30	Plate	ス モ ー ク 板				02 *
※ 14	XX 63 85 40	P.C. Board Ass'y	プ リ ン ト 基 板 Ass'y				10 *
※ 15	XX 63 85 50	Damper	ダ ン パ ー				01 *
※ 16	XX 63 85 60	Battery Terminal	共 通 電 極 板				02 *
※ 17	EP 32 61 20	Flat Head Tapping Screw	2.6×12 FCM3-BI	サ ラ タ ッ ピ ン グ ネ ジ			010
※	XX 63 85 40	P.C. Board Ass'y	プ リ ン ト 基 板 Ass'y				10 *
※	iX 60 16 00	IC	μPD1943G	I C IC1	SC-505		090
※	iX 60 34 60	Transistor	2SD1458	ト ラ ン ジ ス タ Q1			03 *
※	iX 60 34 70	LED	SE303A (Y)	L E D D1			02 *
※	UW 91 81 00	Electrolytic Cap	100μF 6.3V	ケ ミ コ ン C1			010
※	QX 60 00 20	Quartz Crystal Unit	455KHz	水 晶 振 動 子 X1	SC-505		050
※	FG 71 21 00	Ceramic Cap	100pF 50V	セ ラ コ ン C2,3			010
※	XX 63 85 70	Battery Terminal		電 極 板			02 *
※	iX 60 34 80	Diode	MA154WK	ダ イ オ ード D2-6			01 *

※New Parts (新規部品)

ランク : Japan only

**CD-2**

---

**YAMAHA**